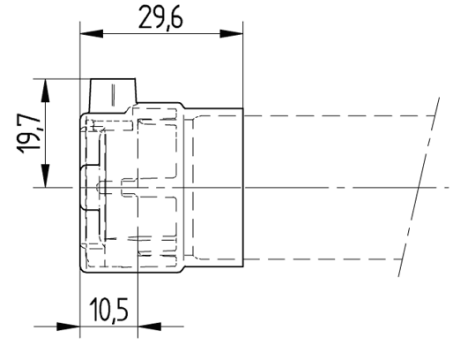
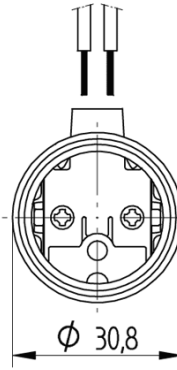




Technology for Light

# Fluorescent lampholder G13 26.424.9001.50



T 110



0,5 - 0,75 mm<sup>2</sup>

IP 67



Technology for Light

## Fluorescent lampholder G13 26.424.9001.50

---

### DESCRIPTION

The electrical connection is made by pushing the connector onto the lamp pins. The lamp must be supported by a supplementary component.  
For double insulated PVC wires, outer diameter of insulation 2.6 - 2.8 mm  
Lamp diameter 26 mm

Product name:	Fluorescent lampholder G13
Short description:	Connector with protective cover
Mounting method 1:	Without mount
Material:	Housing: PC Protective cover: Silicone
Color:	white
Weight:	9
Pkg.:	250